

# 475

THERMOSTATIC MIXING VALVE FOR SOLAR HEATING SYSTEMS

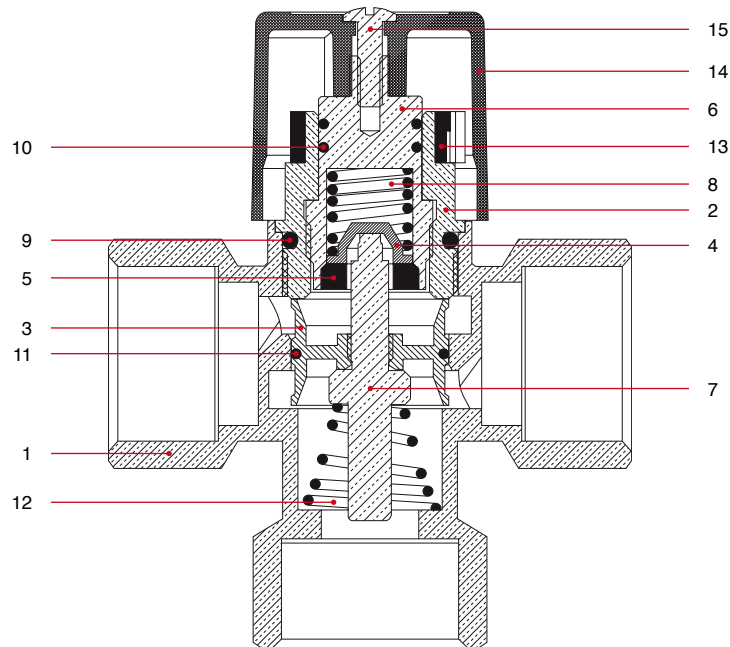


SIZE	PRESSURE	CODE	PACKING
3/4" (DN 20)	10bar/145psi	4570034	1/24
1" (DN 25)	10bar/145psi	4750100	1/24

## TECHNICAL SPECIFICATIONS

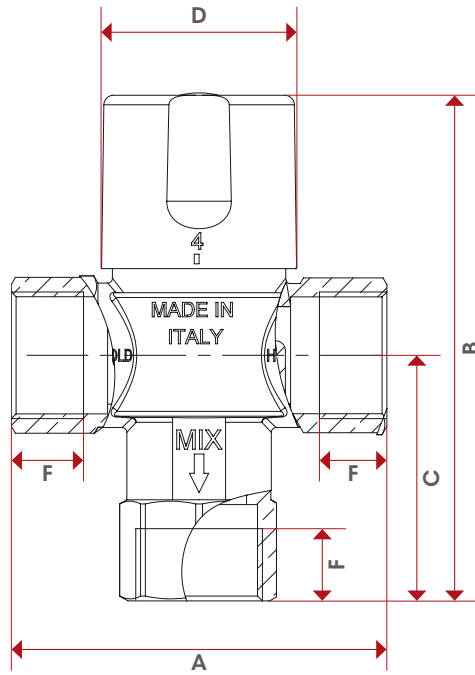
Body in yellow brass ( 3/4" ); nickel-plated brass ( 1" ). Female threads.  
 Maximum operating pressure: 10 bar. Minimum operating pressure: 2bar.  
 Maximum ratio between input pressures= 2:1.  
 Maximum working temperature: 110°C. Setting range: from 35°C to 55°C.  
 KV= 1,7 m3/h (3/4"); 3,0 m3/h (1").  
 Thread ISO228 (equivalent to DIN EN ISO 228 and BS EN ISO 228).

## MATERIALS



POS.	DESCRIPTION	N.	MATERIAL
1	Body	1	Brass CW510L
2	Head screw	1	Brass CW510L
3	Piston	1	Brass CW510L
4	Small piston	1	Brass CW510L
5	Ring	1	Brass CW510L
6	Stem	1	Brass CW510L
7	Bulb	1	WAX
8	Spring	1	ANSI 302 UNI ISO 6931
9	O-ring	1	EPDM
10	O-ring	2	EPDM
11	O-ring	1	EPDM
12	Conical spring	1	ANSI 302 UNI ISO 6931
13	Ring	1	Plastic
14	Handle	1	ABS
15	Screw	1	Steel

## OVERALL DIMENSIONS



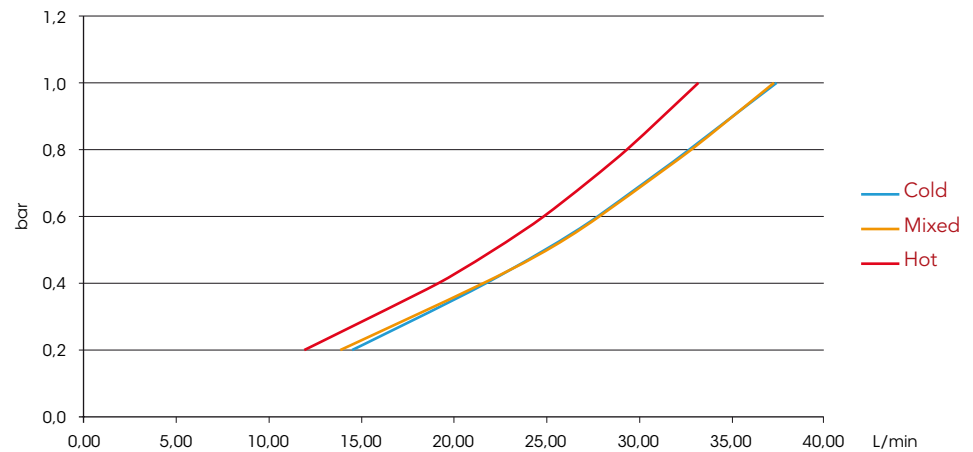
	3/4"	1"
DN	20	25
A	78	88,5
B	105	103
C	50,5	49
D	40,5	40,5
F	15	16,5
Kg/cm <sup>2</sup> bar	10	10
LBS - psi	145	145

## CERTIFICATIONS



## PRESSURE DROPS DIAGRAM

Art.475 3/4"



Art.475 1"

