

TECHNICAL CATALOGUE

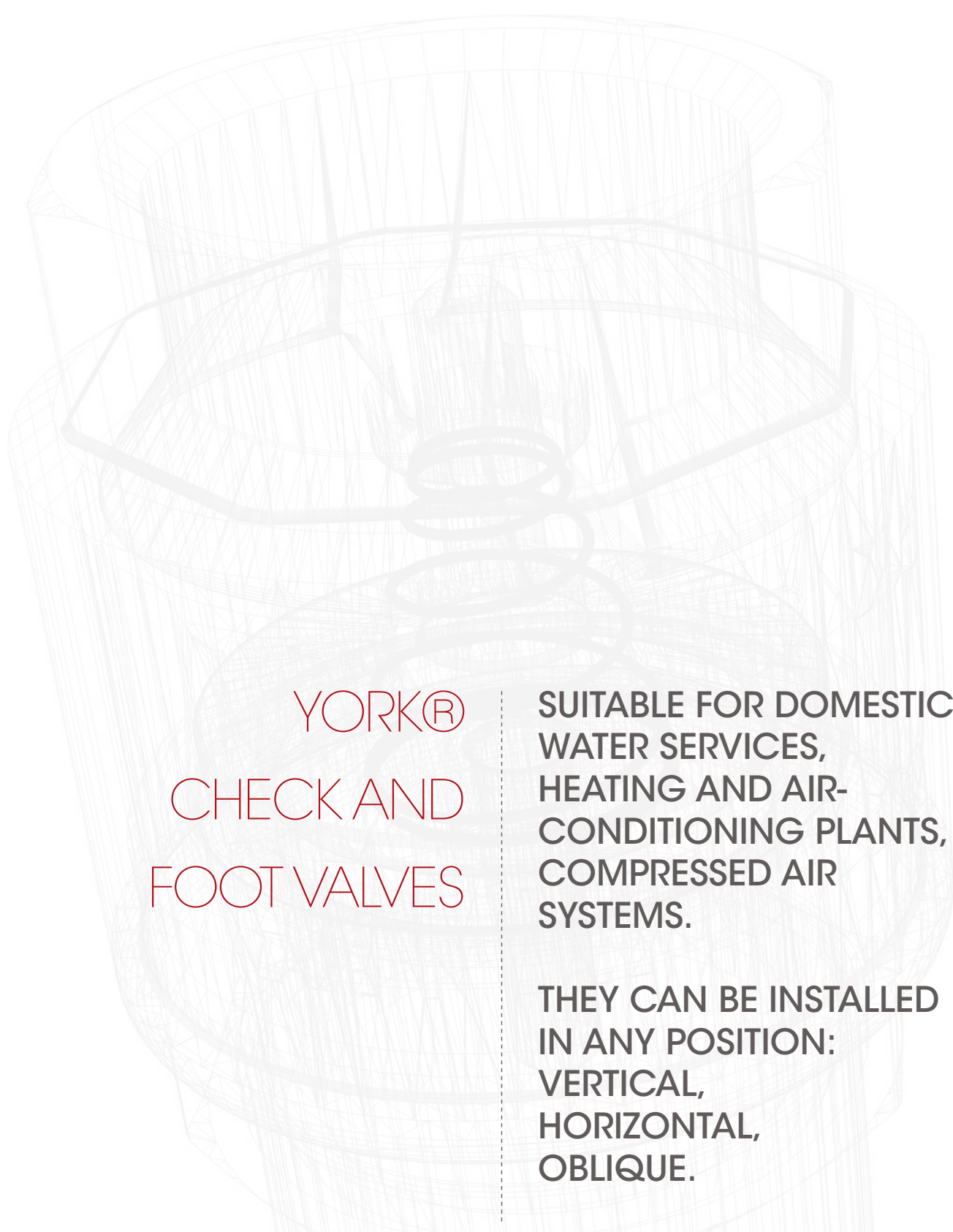
YORK® CHECK
AND FOOT VALVES



ITAP SpA, founded in Lumezzane (Brescia) in 1972, is currently one of the leading production companies in Italy of valves, fittings and distribution manifolds for plumbing and heating systems. Thanks to fully automated production processes, with 72 tooling machines and 51 assembly lines, we are able to produce 200,000 pieces per day. Our innate pursuit for innovation and observance of technical regulations is supported by the company certification ISO 9001: 2008. The company has always considered its focus on quality as the main tool to obtain significant business results: today ITAP SpA is proud to offer products bearing the approval of numerous international certifying bodies.

YORK 3/4" D
itap
MADE IN ITALY





YORK®
CHECK AND
FOOT VALVES

SUITABLE FOR DOMESTIC
WATER SERVICES,
HEATING AND AIR-
CONDITIONING PLANTS,
COMPRESSED AIR
SYSTEMS.

THEY CAN BE INSTALLED
IN ANY POSITION:
VERTICAL,
HORIZONTAL,
OBLIQUE.

103

YORK® CHECK VALVE



SIZE	PRESSURE	CODE	PACKING
3/8" (DN 10)	12bar/174psi	1030038	10/200
1/2" (DN 15)	12bar/174psi	1030012	10/200
3/4" (DN 20)	12bar/174psi	1030034	8/128
1" (DN 25)	12bar/174psi	1030100	8/88
1 1/4" (DN 32)	10bar/145psi	1030114	6/54
1 1/2" (DN 40)	10bar/145psi	1030112	4/36
2" (DN 50)	10bar/145psi	1030200	2/28
2 1/2" (DN 65)	8bar/116psi	1030212	1/16
3" (DN 80)	8bar/116psi	1030300	1/12
4" (DN 100)	8bar/116psi	1030400	1/7

TECHNICAL SPECIFICATIONS

Body in brass.

Plate in polymer.

Washer in NBR.

Spring in stainless steel.

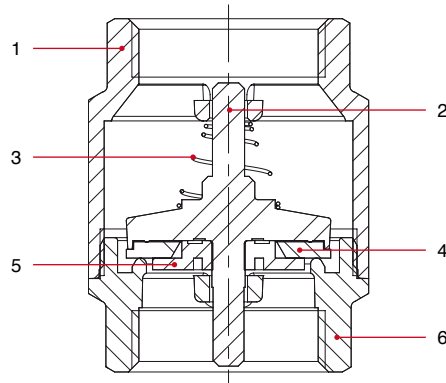
Minimum and maximum working temperatures: -20°C, 100°C.

Threads: ISO228 (equivalent to DIN EN ISO 228 and BS EN ISO 228).

CERTIFICATIONS



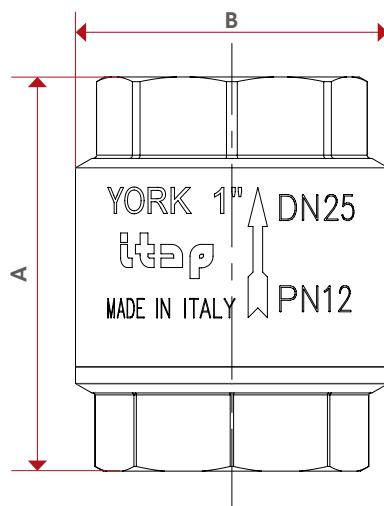
MATERIALS



POS.	DESCRIPTION	N.	MATERIAL
1	Body	1	Brass CW617N
2	Pin	1	Polymer
3	Spring	1	Stainless steel AISI 302
4	Washer	1	NBR
5	Plate	1	Polymer
6	End adapter	1	Brass CW617N



OVERALL DIMENSIONS



	3/8"	1/2"	3/4"	1"	1"1/4"	1"1/2"	2"	2"1/2"	3"	4"
DN	10	15	20	25	32	40	50	65	80	100
A	46,5	48	53	60,5	66,5	74	80,5	98	103	118,5
B	35	35	42	48	59,5	70,5	86	103	126	154
Kg/cm ² bar	12	12	12	12	10	10	10	8	8	8
LBS - psi	174	174	174	174	145	145	145	116	116	116

MANUFACTURER INSTRUCTIONS

Installation

The YORK® check valves are uni-directional; that means they manage the flow in one direction only, which is indicated by the arrow on the body. The valves are composed by a spring, a little valve and a couple of parts made of brass (body and end-adapter) which contain them and that are assembled by means of thread and a sealed material to obtain their aim. In order to avoid that the sealed material gets broken and then the valve loses the connection between the body and the end-adapter, it's necessary to avoid to submit the two parts under the influence of a torque. For the installation normal hydraulic practices must be used, and especially:

- For a proper installation of the valve, near curves and circulation pumps, the valve must be mounted at a distance equal to 10 times the diameter of the pipe.
- The installer has to be sure that the two pipes are correctly aligned;
- During the assembling process the installer has to apply its assembling tools at the end that is nearest to the pipe;
- The application of the sealing materials by the fitter (PTFE or hempen cloth) must be limited at the thread zone. An excess should interfere in the ball gasket's closure zone, compromising the tightness;
- In case the fluid transported has got some impurities (dust, too hard water, and so on) it's necessary to remove impurities by or filter them, otherwise they could damage the seal.

Disassembly the installed valve

To remove the valve from the pipe line or anyhow before unscrewing the connections linked:

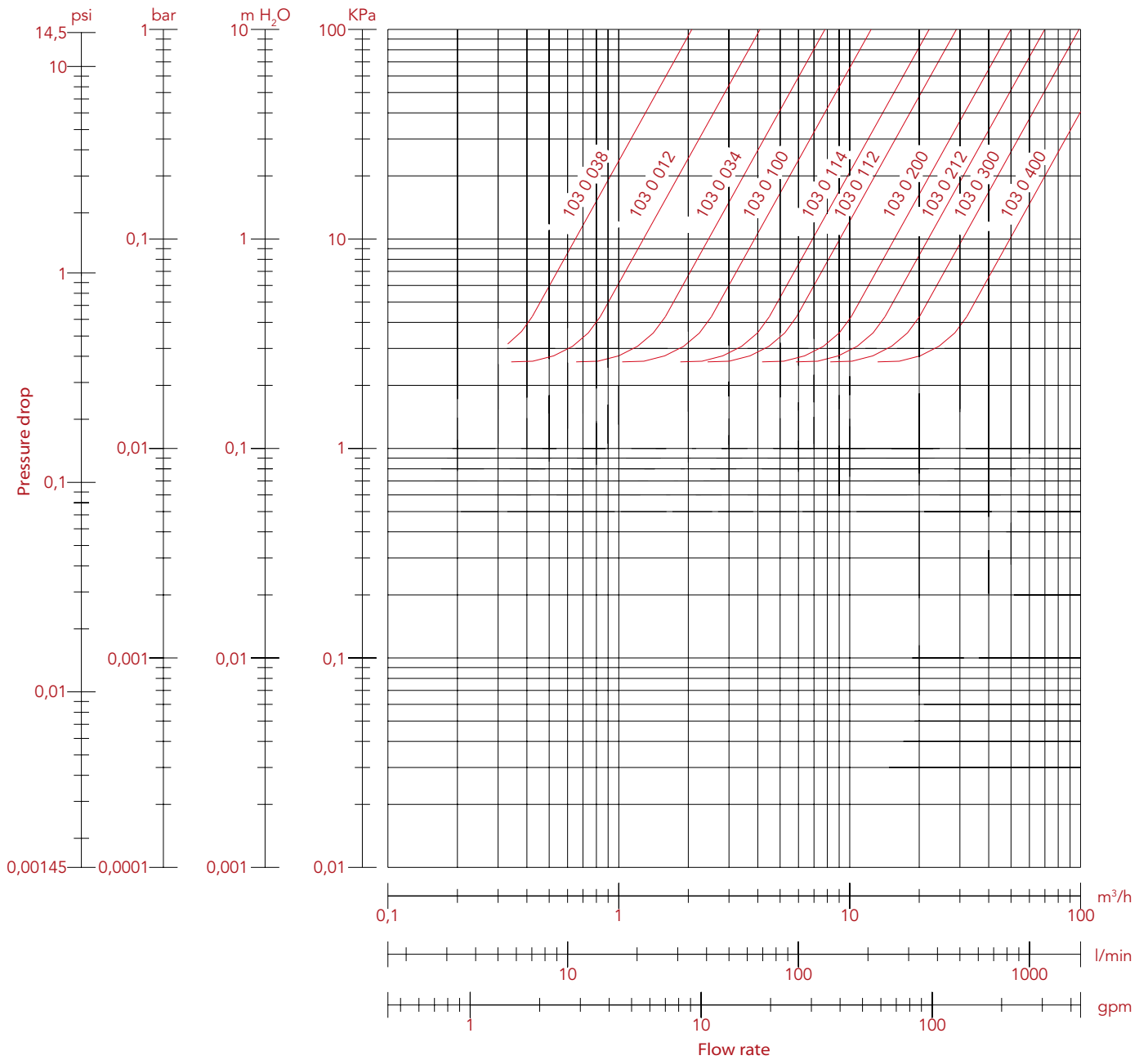
- Wear the protective clothing normally required to work with carried fluids;
- Depressurize the line;
- During the disassembling process, apply the key at the end of the valve, the one nearest the pipe

Maintenance

Verify the valve periodically, according to its application's field and its works' field and its work's conditions, in order to be sure that the valve works correctly. In case of losses of tightening, take note that these can be caused by a deposit of foreign bodies (dirty, calcareous) on the rubber seal. In order to solve this inconvenient, it's necessary to unmount the valve and remove the foreign body with compressed air tools.

FLOW RATE AND PRESSURE DROP CHART

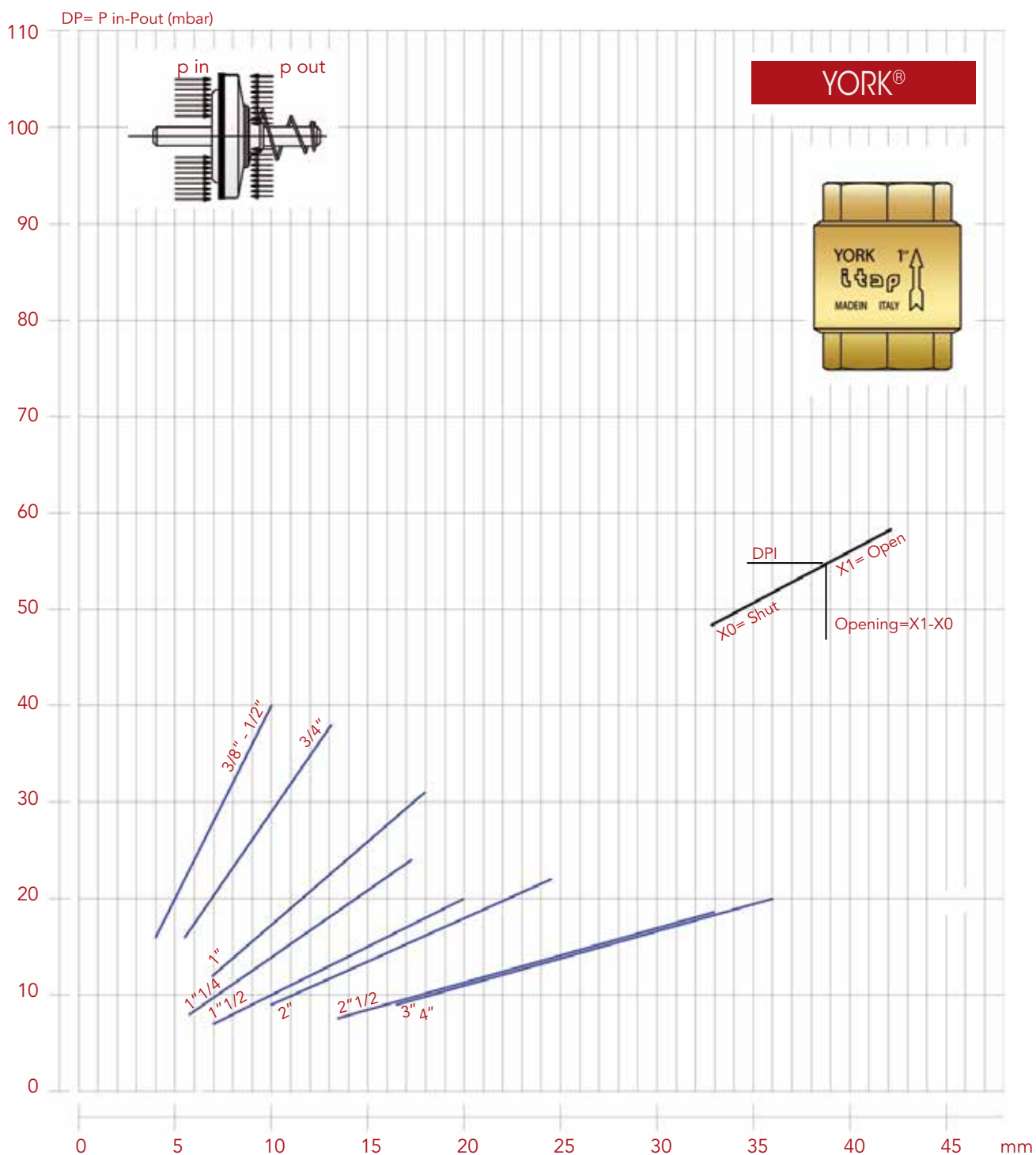
WITH WATER



SIZE	3/8"	1/2"	3/4"	1"	1 1/4"	1 1/2"	2"	2 1/2"	3"	4"
Kv	2.11	4.22	7.92	11.67	22.42	29.39	51.40	69.90	98.49	157.91



DIAGRAM MINIMUM PRESSURE TO GET THE VALVES OPENING



108

YORK® FOOT VALVE



SIZE	PRESSURE	CODE	PACKING
3/8" (DN 10)	12bar/174psi	1080038	10/220
1/2" (DN 15)	12bar/174psi	1080012	10/220
3/4" (DN 20)	12bar/174psi	1080034	8/144
1" (DN 25)	12bar/174psi	1080100	8/120
1 1/4" (DN 32)	10bar/145psi	1080114	6/60
1 1/2" (DN 40)	10bar/145psi	1080112	4/48
2" (DN 50)	10bar/145psi	1080200	2/26
2 1/2" (DN 65)	6bar/87psi	1080212	1/25
3" (DN 80)	6bar/87psi	1080300	1/17
4" (DN 100)	6bar/87psi	1080400	1/10

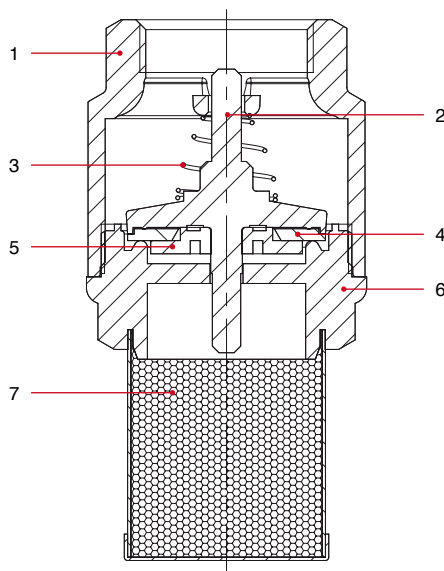
TECHNICAL SPECIFICATIONS

Body in brass.
 Plate in polymer.
 Washer in NBR.
 Spring in stainless steel.
 Strainer in polymer and stainless steel.
 Filtration degree: 3/8" through 2": 1200µm; 2 1/2" through 4": 2000µm.
 Minimum and maximum working temperatures: -20°C, 100°C.
 Threads: ISO228 (equivalent to DIN EN ISO 228 and BS EN ISO 228).

CERTIFICATIONS



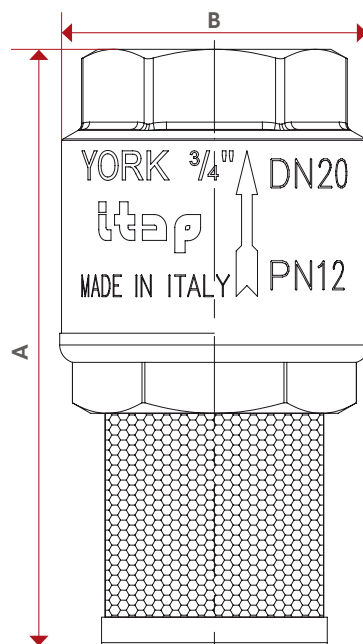
MATERIALS



POS.	DESCRIPTION	N.	MATERIAL
1	Body	1	Brass CW617N
2	Pin	1	Polymer
3	Spring	1	Stainless steel AISI 302
4	Washer	1	NBR
5	Plate	1	Polymer
6	End adapter	1	Polymer
7	Strainer	1	Stainless steel AISI 304



OVERALL DIMENSIONS



	3/8" - 1/2" - 3/4" - 1" - 1 1/4" - 1 1/2" - 2"	2 1/2" - 3" - 4"
Filtration	μ 1200	μ 2000

	3/8"	1/2"	3/4"	1"	1 1/4"	1 1/2"	2"	2 1/2"	3"	4"
DN	10	15	20	25	32	40	50	65	80	100
A	69,5	70	82	91,5	108	119	136,5	164,5	184,5	214,5
B	35	35	42	48	59,5	70,5	86	103	126	154
Kg/cm² bar	12	12	12	12	10	10	10	6	6	6
LBS - psi	174	174	174	174	145	145	145	87	87	87

MANUFACTURER INSTRUCTIONS

Installation

The YORK® check valves are uni-directional; that means they manage the flow in one direction only, which is indicated by the arrow on the body. The valves are composed by a spring, a little valve and a couple of parts made of brass (body and end-adapter) which contain them and that are assembled by means of thread and a sealed material to obtain their aim. In order to avoid that the sealed material gets broken and then the valve loses the connection between the body and the end-adapter, it's necessary to avoid to submit the two parts under the influence of a torque. For the installation normal hydraulic practices must be used, and especially:

- For a proper installation of the valve, near curves and circulation pumps, the valve must be mounted at a distance equal to 10 times the diameter of the pipe.
- The installer has to be sure that the two pipes are correctly aligned;
- During the assembling process the installer has to apply its assembling tools at the end that is nearest to the pipe;
- The application of the sealing materials by the fitter (PTFE or hempen cloth) must be limited at the thread zone. An excess should interfere in the ball gasket's closure zone, compromising the tightness;
- In case the fluid transported has got some impurities (dust, too hard water, and so on) it's necessary to remove impurities by or filter them, otherwise they could damage the seal.

Disassembly the installed valve

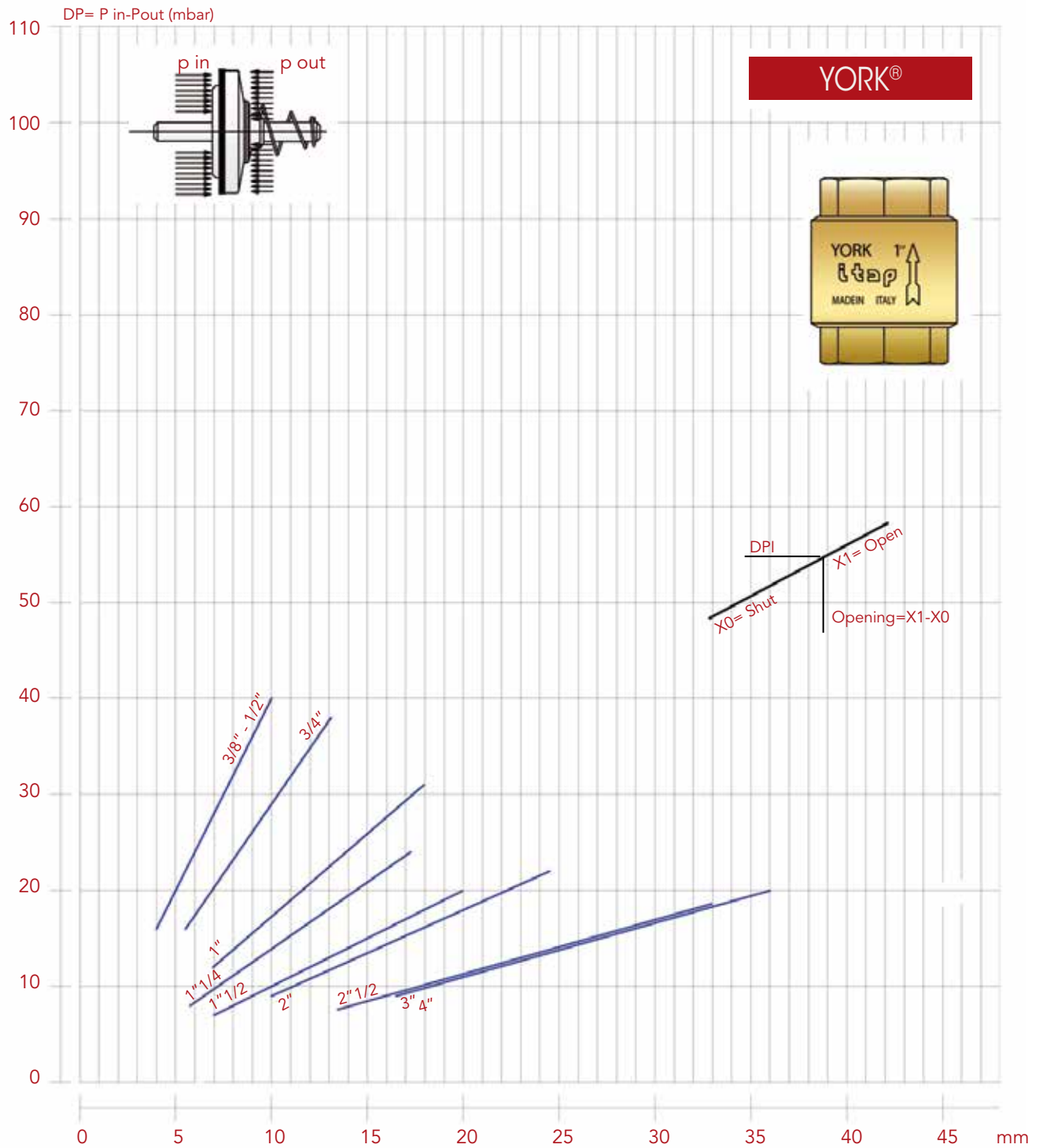
To remove the valve from the pipe line or anyhow before unscrewing the connections linked:

- Wear the protective clothing normally required to work with carried fluids;
- Depressurize the line;
- During the disassembling process, apply the key at the end of the valve, the one nearest the pipe

Maintenance

Verify the valve periodically, according to its application's field and its works' field and its work's conditions, in order to be sure that the valve works correctly. In case of losses of tightening, take note that these can be caused by a deposit of foreign bodies (dirty, calcareous) on the rubber seal. In order to solve this inconvenient, it's necessary to unmount the valve and remove the foreign body with compressed air tools.

DIAGRAM MINIMUM PRESSURE TO GET THE VALVES OPENING



102

STRAINER FOR
EUROPA®, YORK®,
ROMA®, BLOCK®
CHECK VALVES



SIZE	CODE	PACKING
3/8" (DN 10)	1020038	30/1200
1/2" (DN 15)	1020012	30/900
3/4" (DN 20)	1020034	20/480
1" (DN 25)	1020100	20/280
1"1/4 (DN 32)	1020114	10/180
1"1/2 (DN 40)	1020112	10/140
2" (DN 50)	1020200	4/76
2"1/2 (DN 65)	1020212	1/62
3" (DN 80)	1020300	1/36
4" (DN 100)	1020400	1/20

TECHNICAL SPECIFICATIONS

Filtration degree:

- 3/8" through 2": 1200µm;
- 2"1/2 through 4": 2000µm.

Strainer in stainless steel.

Threaded end in polymer.

Thread: ISO228 (equivalent to DIN EN ISO 228 and BS EN ISO 228).

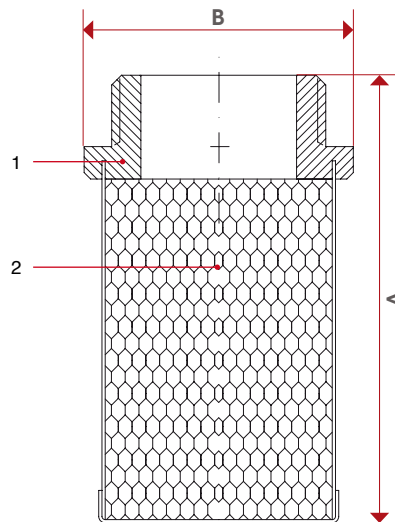
Available also with NPT thread in the sizes 2"1/2, 3" e 4".

CERTIFICATIONS



MATERIALS

OVERALL DIMENSIONS



	3/8"	1/2"	3/4"	1"	1"1/4	1"1/2	2"	2"1/2	3"	4"
A	42	47	57,5	69	75	83	98	123	138	152,5
B	25,5	29,5	36	43,5	50,5	56,5	69	86	102	129

POS.	DESCRIPTION	N.	MATERIAL
1	End adapter	1	Polymer
2	Strainer	1	Stainless steel AISI 304

107

STRAINER FOR
EUROPA[®], YORK[®],
ROMA[®], BLOCK[®]
CHECK VALVES



SIZE	CODE	PACKING
3/8" (DN 10)	1070038	50/1500
1/2" (DN 15)	1070012	40/1200
3/4" (DN 20)	1070034	35/840
1" (DN 25)	1070100	30/420
1 1/4" (DN 32)	1070114	20/280
1 1/2" (DN 40)	1070112	15/195
2" (DN 50)	1070200	8/112

TECHNICAL SPECIFICATIONS

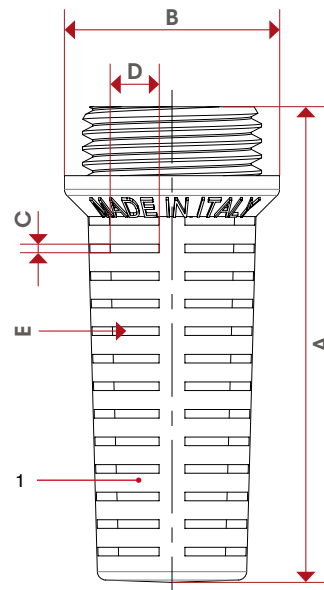
Strainer in polymer.
Thread: ISO228 (equivalent to DIN EN ISO 228 and BS EN ISO 228).

CERTIFICATIONS



MATERIALS

OVERALL DIMENSIONS



	3/8"	1/2"	3/4"	1"	1 1/4"	1 1/2"	2"
A	55,5	55	55,3	59	69,5	74	87,3
B	23	25	32	39	47	54	66
C	1	1	1	1	1	1	1
D	5,58	8,15	11,37	14,74	20,78	23,94	30,99
E (n°)	52	52	52	52	56	64	76
Filtration (μ)	1.000	1.000	1.000	1.000	1.000	1.000	1.000

POS.	DESCRIPTION	N.	MATERIAL
1	Strainer	1	Polymer





NOTES

Lined area for notes with horizontal dashed lines.



ITAP S.p.A.
Via Ruca 19
25065 Lumezzane
Brescia (ITALIA)
Tel 030 89270
Fax 030 8921990
www.itap.it - info@itap.it