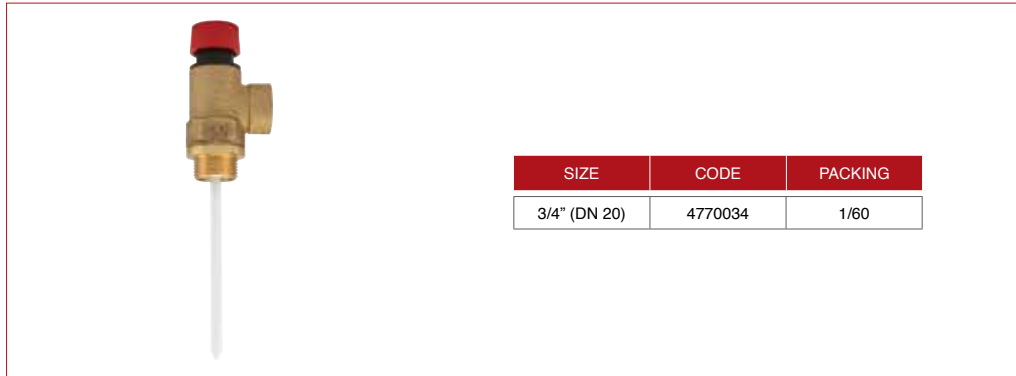


477

TEMPERATURE AND PRESSURE RELIEF VALVE FOR SOLAR HEATING SYSTEMS



SIZE	CODE	PACKING
3/4" (DN 20)	4770034	1/60

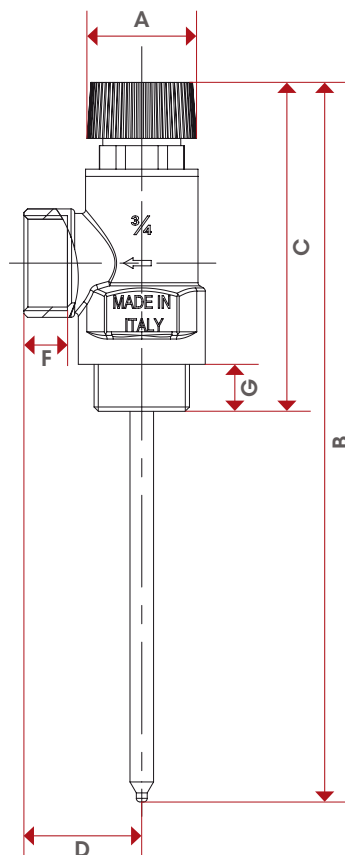
TECHNICAL SPECIFICATIONS

It provides automatic temperature and pressure relief protection for hot water and storage tank.
 It is equipped with a manually operating lever.
 The valve lever must be manually operated at least once a year to insure that water-ways are clear.
 Body in antidezincification brass.
 105 mm extension thermostat.
 Setting temperature: 90°C.
 Power rating: 25Kw.
 Setting pressure: 7 bar.
 Thread ISO228 (equivalent to DIN EN ISO 228 and BS EN ISO 228).

MATERIALS

POS.	DESCRIPTION	N.	MATERIAL
-	Body	1	Brass DZR
-	Spring	1	Steel
-	Control	1	Nylon
-	Diaphragm	1	EPDM

OVERALL DIMENSIONS



	3/4"
DN	20
A	30
B	180
C	90
D	35
F	11
G	13
Kg/cm ² bar	10
LBS - psi	145

CERTIFICATIONS

