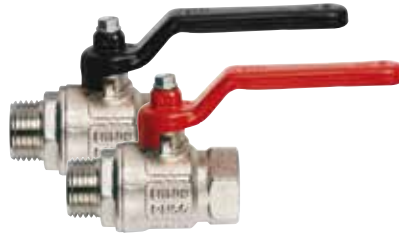


091

IDEAL®
BALL VALVE,
FULL FLOW

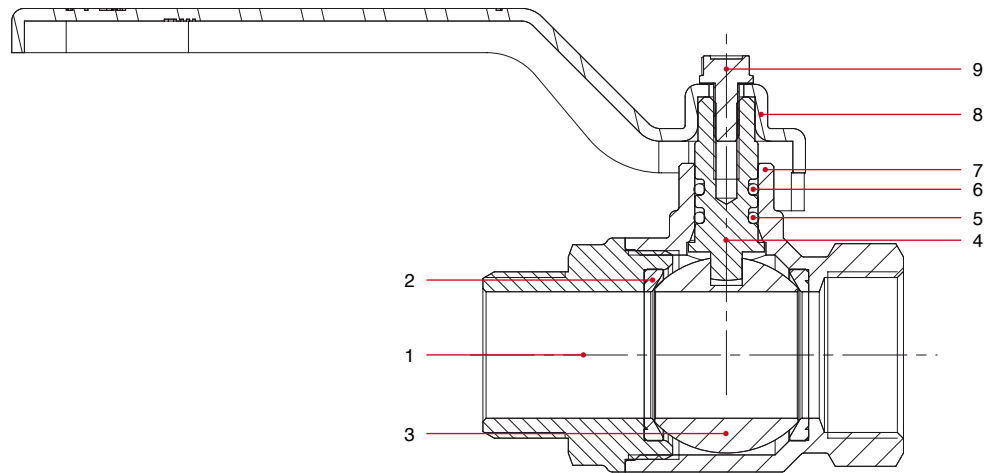


SIZE	PRESSURE	CODE	PACKING
1/4" (DN 8)	50bar/725psi	0910014/N	12/192
3/8" (DN 10)	50bar/725psi	0910038/N	12/192
1/2" (DN 15)	50bar/725psi	0910012/N	12/120
3/4" (DN 20)	40bar/580psi	0910034/N	8/64
1" (DN 25)	40bar/580psi	0910100/N	8/40
1"1/4 (DN 32)	30bar/435psi	0910114/N	4/32
1"1/2 (DN 40)	30bar/435psi	0910112/N	2/24
2" (DN 50)	25bar/362,5psi	0910200/N	2/12

TECHNICAL SPECIFICATIONS

Male/female threads.
Lever handle in steel.
Body in nickel-plated brass.
Minimum and maximum working temperatures:
-20°C, 150°C in absence of steam.
Threads: ISO228
(equivalent to DIN EN ISO 228 and BS EN ISO 228).
Mention "N" in the code only to order the black handle.

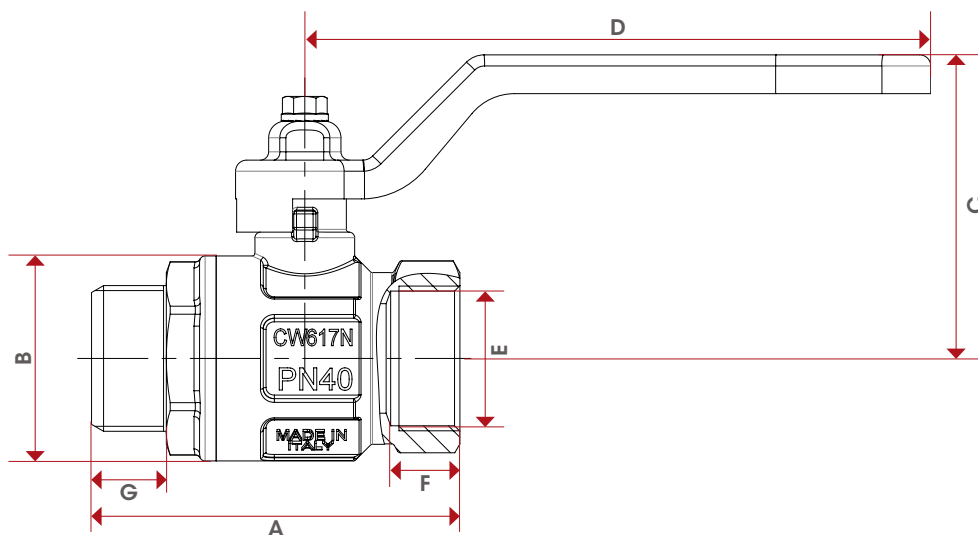
MATERIALS



POS.	DESCRIPTION	N.	MATERIAL
1	End adapter	1	Nickel-plated brass CW617N
2	Seat	2	P.T.F.E.
3	Ball	1	Chrome-plated brass CW617N
4	Stem	1	Brass CW614N
5	O-Ring	1	NBR
6	O-Ring	1	VITON®
7	Body	1	Nickel-plated brass CW617N
8	Lever handle	1	Zinc-plated and varnished steel Fe.P04
9	Screw	1	Zinc-plated steel Fe CB4



OVERALL DIMENSIONS



	1/4"	3/8"	1/2"	3/4"	1"	1"1/4	1"1/2	2"
DN	8	10	15	20	25	32	40	50
A	54	54	58,5	66,5	78,5	91,5	105,5	122
B	23,5	24	30,5	37	45,5	57	70	84
C	37	37	41	55	59	75	81	96
D	80	80	80	113	113	138	138	157,8
E	8	10	15	20	25	32	39	50
F	10	10	12	12,5	15	17	18,5	22
G	10,5	10,5	11,5	13,5	14,5	17	19	21
Kg/cm ² bar	50	50	50	40	40	30	30	25
LBS - psi	725	725	725	580	580	435	435	362,5

CERTIFICATIONS

