

092

IDEAL®
BALL VALVE,
FULL FLOW



SIZE	PRESSURE	CODE	PACKING
1/4" (DN 8)	50bar/725psi	0920014/N	15/240
3/8" (DN 10)	50bar/725psi	0920038/N	15/240
1/2" (DN 15)	50bar/725psi	0920012/N	12/132
3/4" (DN 20)	40bar/580psi	0920034/N	8/88
1" (DN 25)	40bar/580psi	0920100/N	8/64
1"1/4 (DN 32)	30bar/435psi	0920114/N	4/32

TECHNICAL SPECIFICATIONS

Female/female threads.

T handle in aluminium.

Body in nickel-plated brass.

Minimum and maximum working temperatures:

-20°C, 150°C in absence of steam.

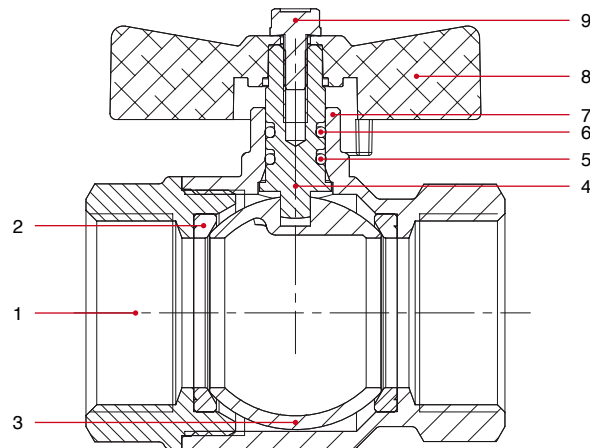
Threads: ISO228

(equivalent to DIN EN ISO 228 and BS EN ISO 228).

Available also with NPT thread in the sizes 1/4" through 1".

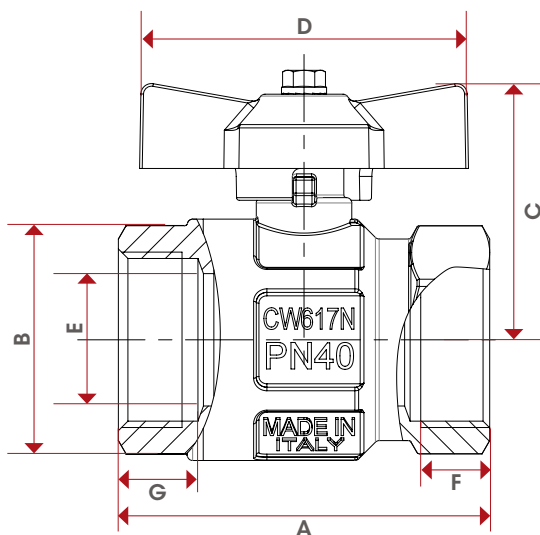
Mention "N" in the code only to order the black handle.

MATERIALS



POS.	DESCRIPTION	N.	MATERIAL
1	End adapter	1	Nickel-plated brass CW617N
2	Seat	2	P.T.F.E.
3	Ball	1	Chrome-plated brass CW617N
4	Stem	1	Brass CW614N
5	O-Ring	1	NBR
6	O-Ring	1	VITON®
7	Body	1	Nickel-plated brass CW617N
8	T handle	1	Varnished aluminium
9	Screw	1	Zinc-plated steel Fe CB4

OVERALL DIMENSIONS



	1/4"	3/8"	1/2"	3/4"	1"	1 1/4"
DN	8	10	15	20	25	32
A	44,4	44,4	50,5	57,5	70	80,5
B	23,5	24	30,5	37	45,5	57
C	37	37	41	47	51	64
D	47	47	47	62	62	70
E	10	10	15	20	25	32
F	10	10	12	12,5	15	17
G	10	10	12,5	13,5	15	16,5
Kg/cm ² bar	50	50	50	40	40	30
LBS - psi	725	725	725	580	580	435

CERTIFICATIONS

