

# 093

IDEAL®  
BALL VALVE,  
FULL FLOW

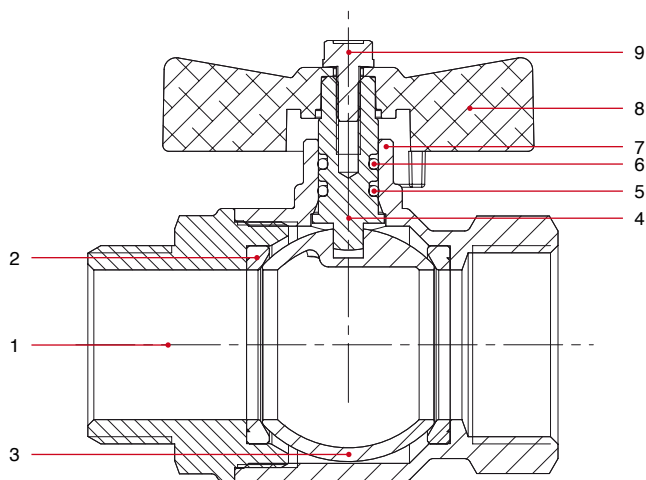


SIZE	PRESSURE	CODE	PACKING
1/4" (DN 8)	50bar/725psi	0930014/N	15/165
3/8" (DN 10)	50bar/725psi	0930038/N	15/165
1/2" (DN 15)	50bar/725psi	0930012/N	12/96
3/4" (DN 20)	40bar/580psi	0930034/N	8/64
1" (DN 25)	40bar/580psi	0930100/N	8/64
1"1/4 (DN 32)	30bar/435psi	0930114/N	4/32

## TECHNICAL SPECIFICATIONS

Male/female threads.  
T handle in aluminium.  
Body in nickel-plated brass.  
Minimum and maximum working temperatures:  
-20°C, 150°C in absence of steam.  
Threads: ISO228  
(equivalent to DIN EN ISO 228 and BS EN ISO 228).  
**Mention "N" in the code only to order the black handle.**

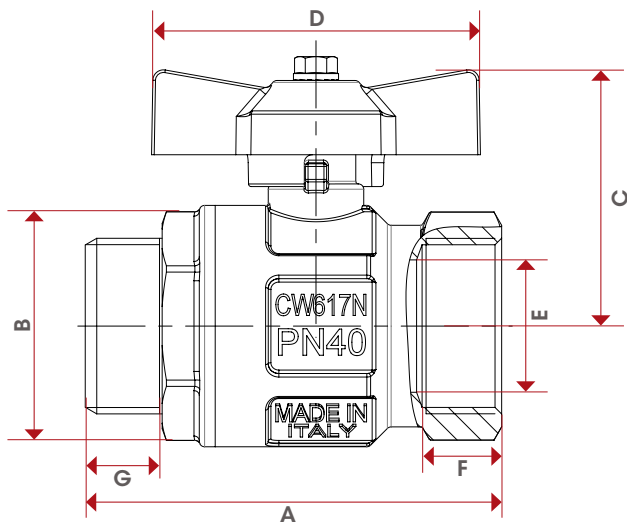
## MATERIALS



POS.	DESCRIPTION	N.	MATERIAL
1	Manicotto	1	Ottone nichelato CW617N
2	Sede	2	P.T.F.E.
3	Sfera	1	Ottone cromato CW617N
4	Asta di manovra	1	Ottone CW614N
5	Guarnizione	1	NBR
6	Guarnizione	1	VITON®
7	Corpo	1	Ottone nichelato CW617N
8	T handle	1	Varnished aluminium
9	Vite	1	Acciaio zincato Fe CB4



## OVERALL DIMENSIONS



	1/4"	3/8"	1/2"	3/4"	1"	1 1/4"
DN	8	10	15	20	25	32
A	54	54	58,5	66,5	78,5	91,5
B	23,5	24	30,5	37	45,5	57
C	37	37	41	47	51	64
D	47	47	47	62	62	70
E	8	10	15	20	25	32
F	10	10	12	12,5	15	17
G	10,5	10,5	11,5	13,5	14,5	17
Kg/cm <sup>2</sup> bar	50	50	50	40	40	30
LBS - psi	725	725	725	580	580	435

## CERTIFICATIONS

