



COMPRESSION FITTINGS FOR COPPER PIPE

530 Equal T coupling

Available sizes: 1/2"x1/2"x1/2", 3/4"x3/4"x3/4" eurokonus



530 available sizes: 1/2"x1/2"x1/2", 3/4"x3/4"x3/4" eurokonus

| SIZE | CODE | PACKING |
|------|------------|---------|
| 1/2" | 5300012012 | 16/336 |
| 3/4" | 5300034034 | 8/168 |

CERTIFICATIONS



TECHNICAL SPECIFICATIONS

Male thread 1/2" equipped with a conical seat and inner diameter mm.16.

Male thread 3/4" eurokonus.

Male thread 1" equipped with a conical seat and inner diameter mm.22.

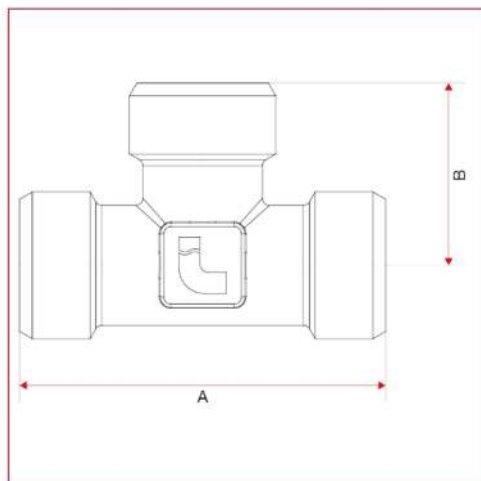
Maximum working pressure: 20 bar.





COMPRESSION FITTINGS FOR COPPER PIPE

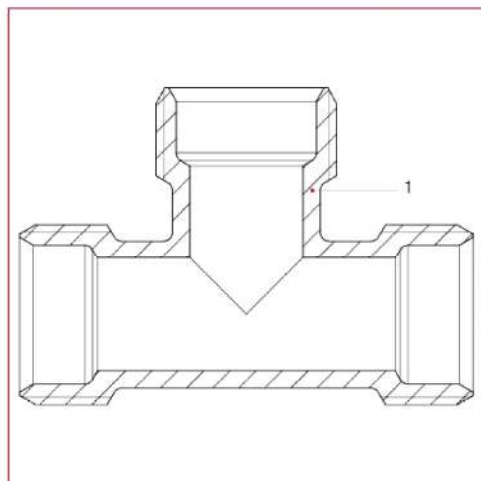
OVERALL DIMENSIONS



530 available sizes: 1/2"x1/2"x1/2", 3/4"x3/4"x3/4" eurokonus

| | 1/2" | 3/4" |
|------------------------|------|------|
| A | 52 | 64 |
| B | 26 | 32 |
| Kg/cm ² bar | 20 | 20 |
| LBS - psi | 290 | 290 |

MATERIALS



| POS. | DESCRIPTION | N. | MATERIAL |
|------|-------------|----|----------------------------|
| 1 | Fitting | 1 | Nickel-plated brass CW617N |

www.ro-binet.ro

ICI@ICI.ro, 0722.228.706

RO-BINET
Din 1595