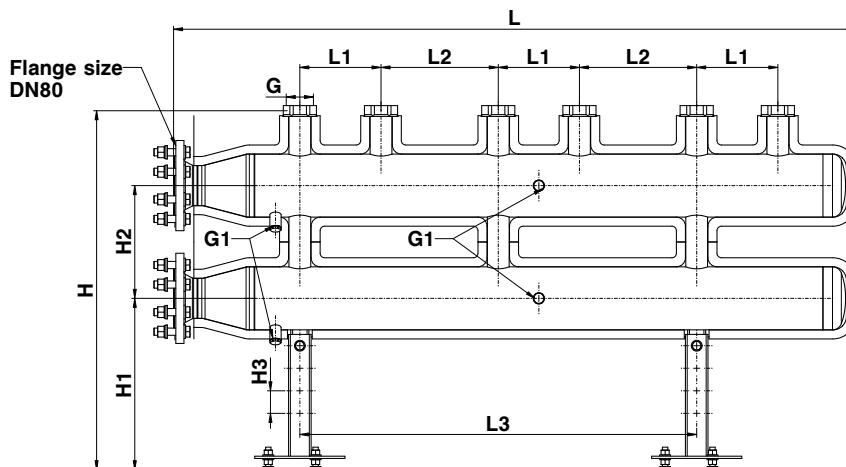
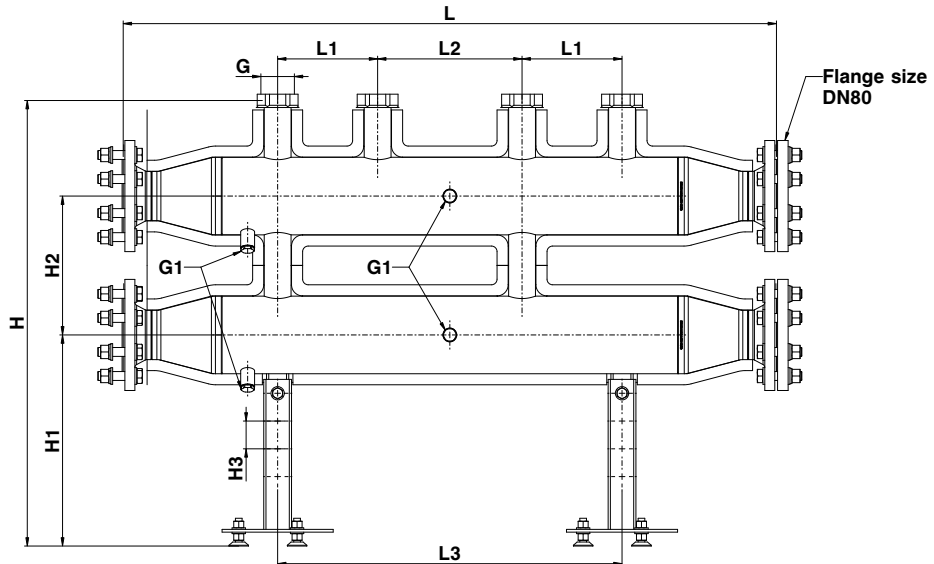


HERZ PUMPFIX

Distributor DN 50

Datasheet 1 4501 XX

Dimensions

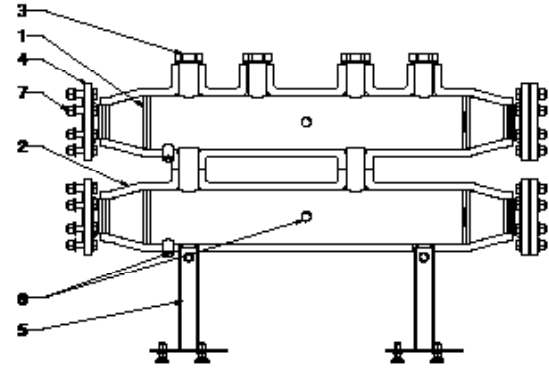


Order Nr.	DN	Nr. of Circuits	Flange size (DN)	L [mm]	L1 [mm]	L2 [mm]	L3 [mm]	H* [mm]	H 1 [mm]	H2 [mm]	H3 [mm]	G* [in]	G1* [in]
1 4511 97	50	2	80	1173	180	260	620	800 (850,900,950)	380	250	50	2"	1/2 "
1 4511 98	50	3	80	1510	180	260	620	800 (850,900,950)	380	250	50	2"	1/2 "

* Adjustable height position

☑ Components

1. Distributor body
2. Insulation
3. Nut G2
4. Flange DN80 (acc. to EN1092-1)
5. Mounting legs (height adjustable)
6. Plug G1/2
7. Mounting set for flange M16 (screws, nuts, washers)



☑ Material and construction

Fittings:	Cast iron EN-GJMW-400-5, DIN EN 1562
Flat sealing:	Klingerit
Insulation:	5 mm NP FR G 2905 + 15 mm C080 RN2
Mounting legs:	Galvanized steel
Housing:	Powder coated steel (RAL 9005)
Flange:	acc. to EN1092-1 DN80/PN10

☑ Operating data

Max. operating temperature:	110°C
Max. admissible pressure:	6 bar
Wheelbase between the connections (boiler and heating circuit):	180mm

Medium:

Heating water according to ÖNORM H5195 or VDI-Standard 2035. The use of ethylene or propylene glycol in a mixing ratio 25- 50% is allowed. EPDM gaskets can be affected by mineral oils lubricants and thus lead to failure of the EPDM seals. Please refer to manufacturers documentation when using ethylene glycol and propylene glycol products for frost and corrosion protection.